

WONDERFOLD®
www.wonderfold.com

W2 Luxe

Double Stroller



www.wonderfold.com



 Two Seater

WONDERFOLD®

Assembly & Safety Instructions

⚠️ WARNING ⚠️

Important—Keep these instructions for future reference.

Avoid Serious Injury To Children From Falling Or Sliding Out:

- Always use the included harnesses to secure each child.
- Never leave children unattended.
- Always set parking brake while loading and unloading children.
- This seat unit is not intended for children under 6 months of age.

Avoid Serious Injury To Children:

- Use caution when using stroller near traffic or in highly congested areas.
- DO NOT use the stroller on stairs or escalators.
- Keep children clear when unfolding and folding the stroller.
- DO NOT let your child play with this product.
- DO NOT use the stroller while running, jogging or skating. The stroller is intended only for up to a brisk walking speed.

Avoid Injury From Stroller Tipping Over:

- DO NOT allow more than 2 children in the stroller at any given time.
- DO NOT exceed the per seat limit of 45 lbs (20 kg).
- The stroller is not intended to carry children taller than 40 in (101 cm).
- DO NOT allow children to climb into stroller unassisted, or to play or hang onto stroller.
- DO NOT overload the stroller as it may cause instability and/or damage to the product.
- Only manufacturer approved parts and accessories should be placed on the stroller. Non-compliant parts or accessories, such as hanging items or bags, may cause instability.
- DO NOT place more than 11 lbs. (5 kg) in rear basket.
- DO NOT place more than 1.1 lbs. (0.5 kg) in each storage pocket.
- ALWAYS distribute weight in the stroller as evenly as possible.

Avoid Loss Of Control Of Stroller:

- ALWAYS ensure that all locking clips, clamps and buckles are engaged and all accessories are securely fastened before use.
- NEVER leave stroller unattended on a hill or incline even when parking brake is set.
- ALWAYS use caution when the stroller is on uneven terrain or slopes.
- ALWAYS set parking brake when the stroller is stationary.

Avoid Pinch Injury:

- **Keep fingers or other body parts clear of hinged joints when folding and unfolding the stroller.**
- ALWAYS keep children clear from moving parts when making adjustments to the stroller.

See Assembly, Operation and Maintenance & Care sections for additional warning and usage instructions.

Content

Specifications	3
Parts check list	4
Features	5

Assembly

Unfolding the stroller/ Installing the front wheels	6
Installing the rear wheels/ Installing brake set/ Installing the baseboard	7
Attaching the Seats/ Installing the rear basket	8
Installing the Canopy/ Attaching the optional pull strap	9

How to...

Secure the harness/ Use the Parking Brake.....	10
Adjust handlebar height/ Fold the stroller	11
Adjust the canopy/ Store the Canopy	12
Use side mesh panels/ Attach the bag hooks	13

Care & Safety

Cleaning/ Storage/ Warranty	14
-----------------------------------	----

Specifications

Certification: ASTM F833-21/ EN1888/ AS 2088:2022

Seat Capacity: 2

Age Group: 6 months or above

Wagon Weight with Seats: 55 lbs (25 kg)

Weight Capacity: 200 lbs (91 kg)

Seat Weight Limit: 45 lbs (20 kg) per seat

Parts Check List

 Stroller Body - 1 pc	 Rear Wheels - 2 pcs	 Front Wheels - 2 pcs
 Brake Set - 1 Set	 C-Clamps - 2 pcs <small>Pre-installed on brake set</small>	 Bench Seat - 2 pcs
 Canopy Set- 1 Set	 Baseboard - 1 pcs	 Rear Basket - 1 pcs
 Optional Strap- 1 pc	 Hooks - 2 pcs	

Please take the time to make sure that all parts are included. If there are any missing or broken parts or in need of immediate assistance in assembling your stroller. Please contact us at hello@wonderfold.com.

Features



Removable, Raised, & Reclining Seats and a Single Rider Option



XL All-Terrain PU Tires with Bearings & Suspensions



Easy to Fold & Unfold



Spacious Footwell for Plenty for Leg room



Removable & Slidable UV Protection Canopy, with Adjustable Canopy Rods



Automatic Magnetic 5-Point Safety Harnesses



Adjustable Handlebar with a Vegan Leather Cover



Front Zippered Entrance



Rear Storage Basket with Extra Pouches



Additional Pouch on the Back Panel of the Carriage Fabric



Additional Storage in the Seatbacks



Zippered Mesh Panels for Privacy & Wind Cover Protection

Unfolding the Stroller

1. Unlock the bottom latch.
2. Standing on either side of the stroller, push smoothly outward to unfold the stroller.
3. Ensure the upper lock on the right side of the stroller snaps into place.
4. Flip over the side pocket flaps to the outside on both sides of the stroller to cover the frame joints.



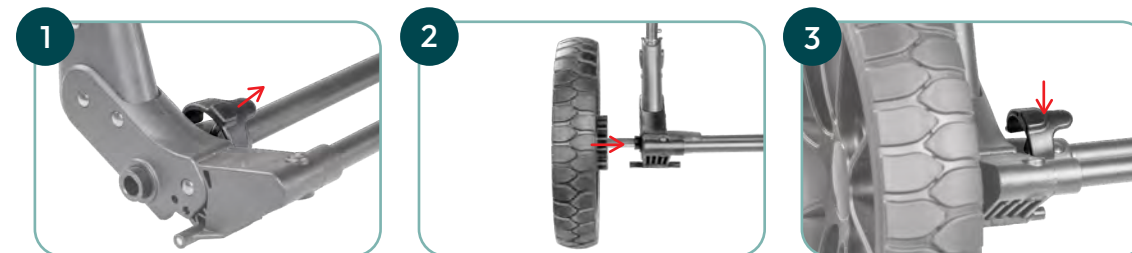
Installing & Removing the Front Wheels

1. Insert front wheels into the front wheel housing until you hear a click. Make sure the flat side of the axle is parallel to the quick release lock on the upper housing.
2. After attaching the front wheels, pull down on each wheel to confirm that they are securely locked.
3. To unlock and release the wheel, use a tool with a narrow point to press the metal button at the base of the stroller frame, then pull off the wheels.



Installing the Rear Wheels

1. The C-shaped clamp comes pre-installed on the brake assembly. Release the C-shaped clamp by pushing it out from the brake unit.
2. Insert the wheel axle in the brake assembly.
3. Insert the C-shaped clamp back into the rear wheel housing.
4. Pull the rear wheel axle to ensure that the rear wheel assembly is secure.



Installing the Brake Set

1. Line up and connect the rear wheel assembly to the rear tube joint.
2. Check that the clips are in place on both sides of the wheel housing.



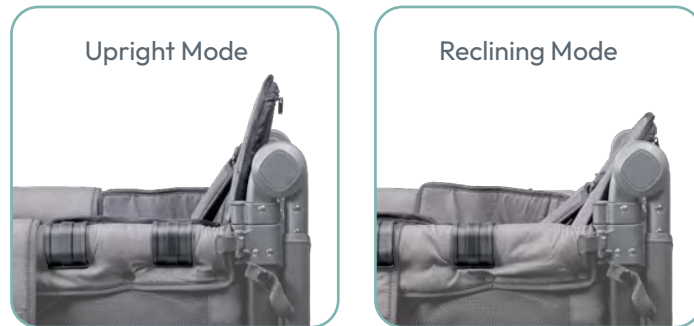
Installing the Baseboard

1. Place the baseboard into the base of the carriage fabric nestled against the frame.
2. Press the baseboard with your hands to level and secure it in place.



Attaching the Bench Seats (Seat is not suitable for children under 6 months.)

1. Place the seat into one end of the stroller.
2. Secure the hooks on both sides of the seat onto the stroller frame hand rail. Then secure the hooks on the back of the seat onto the upper tube of the stroller frame.
3. Completed seat assembly shown in figure 3.
4. For reclining mode, remove the seat and reposition the side hooks further forward.



Installing the Rear Basket

1. Slide the basket hooks into the fixed slots on the frames under the handlebar tube.
2. Gently wiggle the basket to level it. Completed installation shown in figure 2.



Installing the Canopy

1. Before assembling the canopy, make sure all four plastic clamps at the corners are open.
2. Insert the canopy tubes through the piping of the canopy fabric
3. Insert the canopy poles into the frame slots on all four corners at the desired height.
4. Close all four plastic clamps to secure the canopy height.

Note: Latches may require extra force to close or open.



Latch should be opened toward the center of the wagon

Latch should be pressed away from the center of the wagon to close

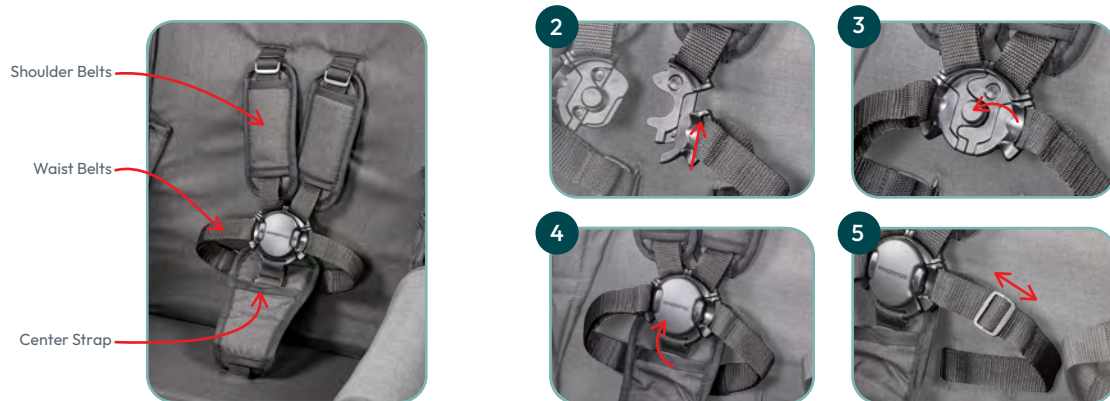
Attaching the Optional Pull Strap

1. Locate the handle strap from the bottom of the frame located in the front.
2. Fix the handle strap onto the lower front frame tube.
3. Use as shown in figure 3.



Secure the Harness

1. With harness unbuckled, place child in seat.
2. Combine the waist and shoulder pieces together by sliding the waist clip onto the shoulder end piece.
3. Overlay the two sets of the combined waist and shoulder pieces onto each other.
4. Place the buckle on top of the shoulder and waist buckle base and let it click in place.
5. Adjust each strap by pulling on the free end of the strap and move the slide adjuster along strap.



Use the Parking Brake

1. Step down gently on the parking brake pedal to lock. To test and ensure the brake is engaged, try to push the stroller forward.
2. Lift the parking brake pedal upwards with your foot to release it.



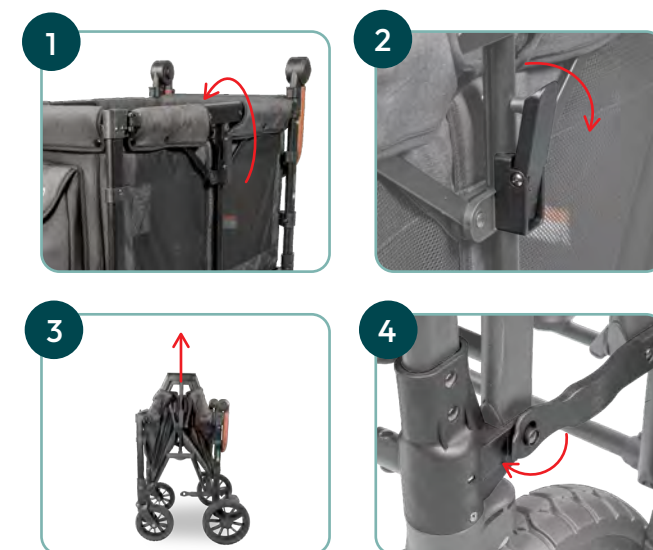
Adjust the Handlebar Height

1. Press the adjustable handle button on both sides simultaneously.
2. While the buttons are pressed, position the handle up or down to desired height.



Fold the Stroller

1. Flip the side pockets into the stroller.
2. Stand in front of the stroller, gently release the upper lock on the right hand side.
3. Grasp the folding hinges on both sides. Lift up the hinges until stroller is completely folded.
4. Secure the lower latch to lock the stroller in the folding position.



Adjusting the Canopy

1. Before adjusting the height of canopy, make sure all four plastic clamps at the corners are open.
2. With one hand on each horizontal part of the canopy pole, gently slide the canopy poles up or down to the desired height. Caution to not bend the poles.
3. Secure all four plastic clamps to lock canopy height.

Note: Latches may require extra force to close or open.



Latch should be opened toward the center of the wagon

Latch should be pressed away from the center of the wagon to close

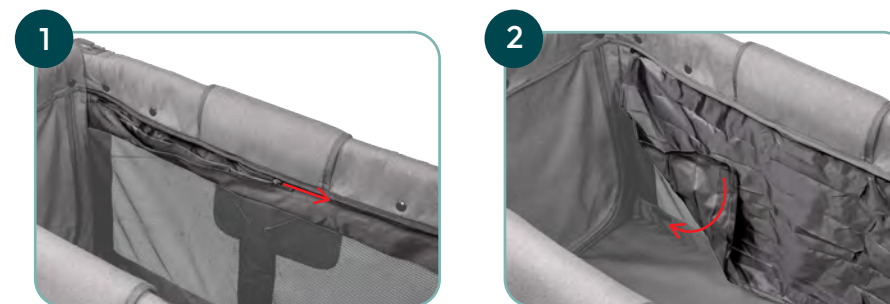
Store the Canopy

1. Adjust the handlebar to the upright direction.
2. Roll up the canopy fabric around the horizontal part of the canopy poles.
3. Insert the combined ends of the canopy poles into the storage pocket on each side of the basket.
4. Secure the poles using the straps on the rear leg tubes and snap the fasteners.



Use the Side Mesh Panel

1. Unzip the pocket located on the upper part of the inner carriage fabric.
2. Stretch out the inside curtain, and secure the bottom Velcro to the carriage fabric.
3. Repeat the same operations for the other side of the stroller.
4. To secure the curtain, pull up the Velcro, roll up the curtain and zip up the pocket.



Attaching the Bag Hooks

1. Attach the hook by pressing it down onto the top of the frame.
2. Installation complete.

Attention: Do not exceed the hook's weight capacity of, 25 lbs (78 kg).



Cleaning & Storage

Cleaning the Stroller

1. Wash stroller frame with mild soap and warm water solution.
2. Rinse and wipe with a dry cloth until fully dry.

Cleaning the Seat Pad

1. Spot clean with mild soap and warm water solution.
2. Rinse and wipe with a dry cloth until fully dry.

Store the Stroller Wagon

1. Should be stored in a cool dry place.
2. Cannot be stored near a heat source and cannot be exposed to the sun and rain for a long time.

Warranty

One Year Limited Warranty

WonderFold warrants this product to be free from defects in material or workmanship for a period of one year from the date of purchase when used by the original owner according to the manufacturer's instructions.

The warranty does not apply to damage caused by product alteration, or customer/user misuse or abuse of the product. Your sales receipt is your only record of the date of purchase. Warranty is subject to change at any time at manufacturer's sole discretion. Please refer to <https://www.WonderFoldWagon.com/pages/warranty> for the most current version of the manufacturer warranty. Please contact WonderFold if you have any warranty questions or if you need replacement parts:

WONDERFOLD

5796 Martin Rd
Irwindale, CA 91706
hello@WonderFold.com
1 (888) 681-1526